



V形 球阀系列

V SHAPED BALL VALVE SERIES

麦斯凯阀门

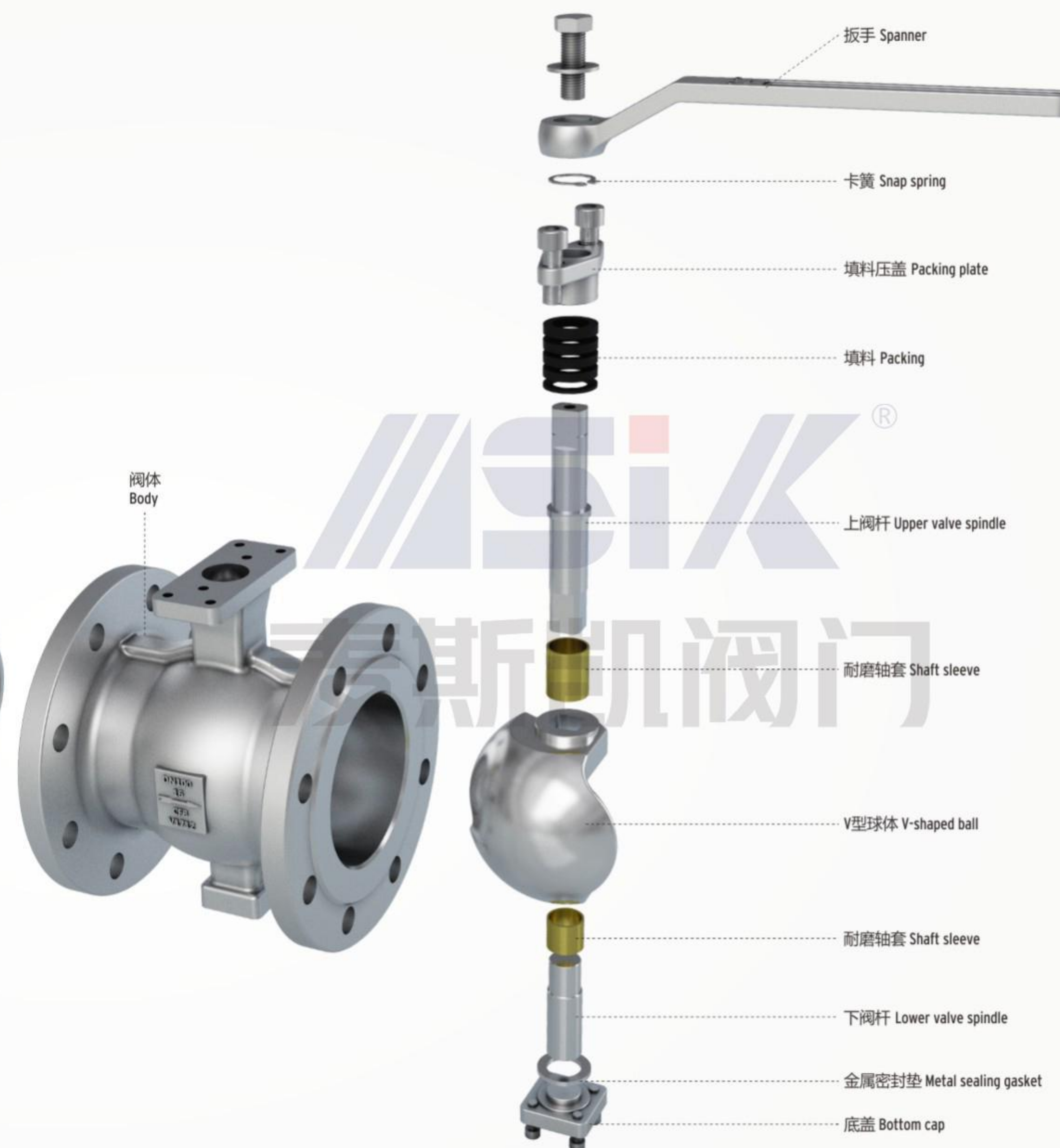
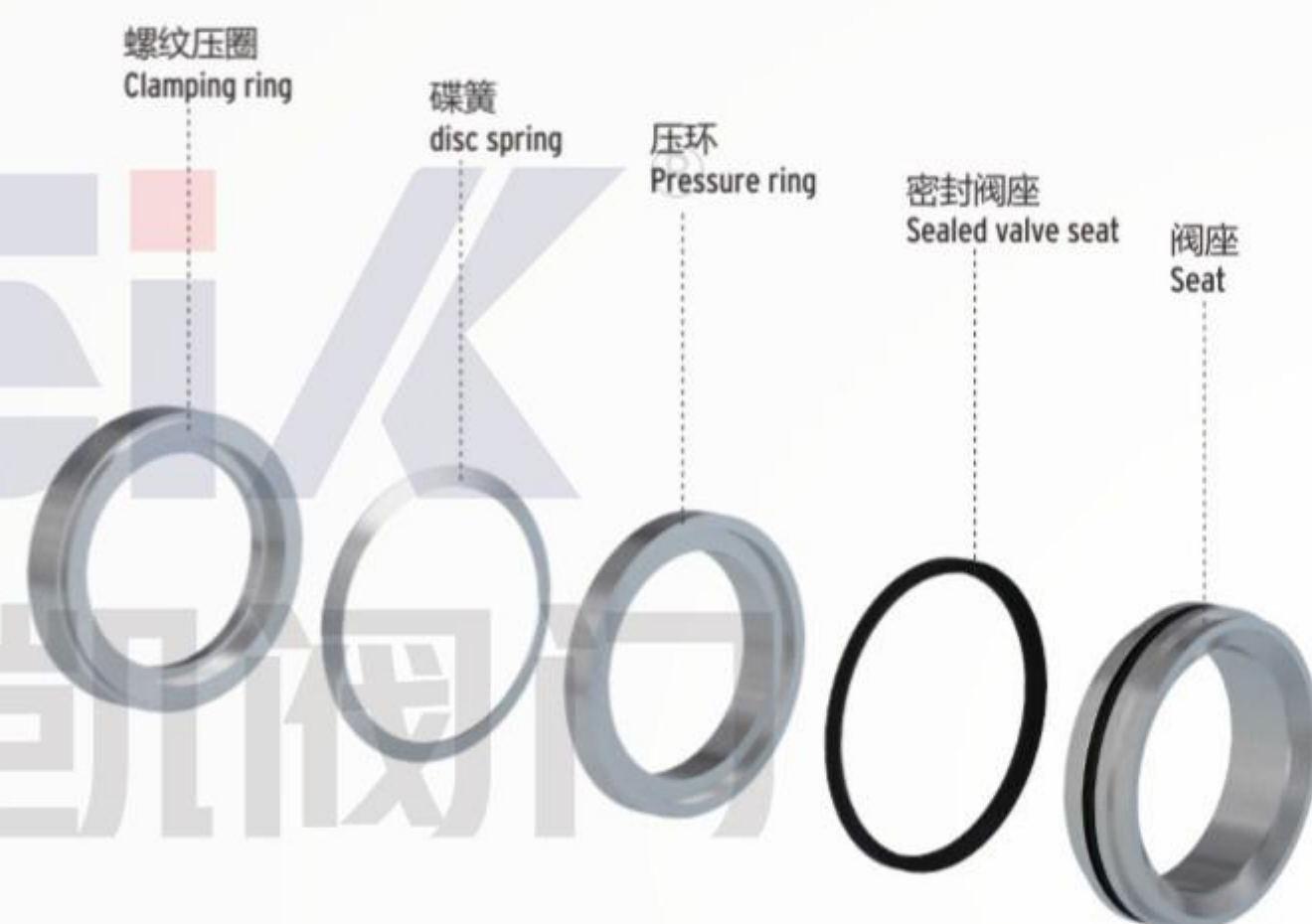
麦斯凯为炼油、石油、化工、电站、采矿、造纸等行业提供流体过程控制解决方案，并提供满足解决客户严酷苛刻工况问题的阀门产品。

MSIK provides fluid process control solutions for refining, petroleum, chemical, power plant, mining, papermaking and other industries, and provides valve products to meet customers' severe and harsh working conditions.



麦斯凯阀门

V SHAPED BALL VALVE SERIES



概述 INTRODUCTION

V形球阀的流量特性为近似等百分比，该阀调节范围广、密封可靠、使用寿命长、而且带有V缺口的球体与阀座具有剪切作用，适用于高稠度和含有纤维、微小颗粒和浆料的工况介质。主要适用造纸、石油化工、污水处理、化纤、冶金、制药等工业部门的自控系统。V形球阀分为开关型和调节型两种。

The flow characteristic of the V ball valve is approximate equal percentage. The valve is featured by wide adjusting range, reliable sealing and long service life. The V notch of the ball produces the shearing force with the seat. It is especially suitable for controlling media of high viscosity and those containing fibers, small granules and slurries. It is mainly used in automatic control systems in pulp & paper, petrochemical industry, sewage treatment, chemical fiber, metallurgy, pharmacy and other industries. The V ball valves include two types such as on-off type and control type.



QV40F/H/Y 硬密封V形球阀
Hard-seal V-shaped ball valve

公称压力: 1.0~4.0MPa, 150Lb~300Lb
公称口径: DN15~500mm, NPS 1/2"~20"
适用温度: -29~425°C(具体温度范围视介质性质而定)
连接法兰: GB/T 9113, JB/T 79, HG/T 20592, ASME B16.5
阀门材料: WCB, CF8, CF3, CF8M, CF3M, 310S, 特种钢
密封形式: 软、硬密封
配套附件: 安装法兰

NOMINAL PRESSURE 1.0~4.0MPa, 150Lb~300Lb
NOMINAL DIAMETER DN15~500mm, NPS 1/2"~20"
APPLICABLE TEMPERATURE -29~425°C
(The detailed temperature range depends on the medium properties)
CONNECTION FLANGE GB/T 9113, JB/T 79, HG/T 20592, ASME B16.5
VALVE MATERIALS WCB, CF8, CF3, CF8M, CF3M, 310S, Special steel
SEAL TYPE Soft and hard seals
ACCESSORIES Flange



QV640F/H/Y 气动调节V形球阀
Pneumatic regulated V-shaped ball valve

公称压力: 1.0~4.0MPa, 150Lb~300Lb
公称口径: DN15~500mm, NPS 1/2"~20"
适用温度: -29~425°C(具体温度范围视介质性质而定)
连接法兰: GB/T 9113, JB/T 79, HG/T 20592, ASME B16.5
阀门材料: WCB, CF8, CF3, CF8M, CF3M, 310S, 特种钢
密封形式: 软、硬密封
配套附件: 安装法兰

NOMINAL PRESSURE 1.0~4.0MPa, 150Lb~300Lb
NOMINAL DIAMETER DN15~500mm, NPS 1/2"~20"
APPLICABLE TEMPERATURE -29~425°C
(The detailed temperature range depends on the medium properties)
CONNECTION FLANGE GB/T 9113, JB/T 79, HG/T 20592, ASME B16.5
VALVE MATERIALS WCB, CF8, CF3, CF8M, CF3M, 310S, Special steel
SEAL TYPE Soft and hard seals
ACCESSORIES Flange



QV40F/H/Y 高平台V形球阀
High platform V-shaped ball valve

公称压力: 1.0~4.0MPa, 150Lb~300Lb
公称口径: DN15~200mm, NPS 1/2"~8"
适用温度: -29~425°C(具体温度范围视介质性质而定)
连接法兰: GB/T 9113, JB/T 79, HG/T 20592, ASME B16.5
阀门材料: WCB, CF8, CF3, CF8M, CF3M, 310S, 特种钢
密封形式: 软、硬密封
配套附件: 安装法兰

NOMINAL PRESSURE 1.0~4.0MPa, 150Lb~300Lb
NOMINAL DIAMETER DN15~200mm, NPS 1/2"~8"
APPLICABLE TEMPERATURE -29~425°C
(The detailed temperature range depends on the medium properties)
CONNECTION FLANGE GB/T 9113, JB/T 79, HG/T 20592, ASME B16.5
VALVE MATERIALS WCB, CF8, CF3, CF8M, CF3M, 310S, Special steel
SEAL TYPE Soft and hard seals
ACCESSORIES Flange



QV77F/H/Y 气动调节对夹V形球阀
Pneumatic regulated wafer V-shaped ball valve

公称压力: 1.0~4.0MPa, 150Lb~300Lb
公称口径: DN15~250mm, NPS 1/2"~10"
适用温度: -29~425°C(具体温度范围视介质性质而定)
连接法兰: GB/T 9113, JB/T 79, HG/T 20592, ASME B16.5
阀门材料: WCB, CF8, CF3, CF8M, CF3M, 310S, 特种钢
密封形式: 软、硬密封
配套附件: 安装法兰

NOMINAL PRESSURE 1.0~4.0MPa, 150Lb~300Lb
NOMINAL DIAMETER DN15~250mm, NPS 1/2"~10"
APPLICABLE TEMPERATURE -29~425°C
(The detailed temperature range depends on the medium properties)
CONNECTION FLANGE GB/T 9113, JB/T 79, HG/T 20592, ASME B16.5
VALVE MATERIALS WCB, CF8, CF3, CF8M, CF3M, 310S, Special steel
SEAL TYPE Soft and hard seals
ACCESSORIES Flange



QV640F/H/Y 气动切断法兰V形球阀
Pneumatic cutoff flanged V-shaped ball valve

公称压力: 1.0~4.0MPa, 150Lb~300Lb
公称口径: DN15~500mm, NPS 1/2"~20"
适用温度: -29~425°C(具体温度范围视介质性质而定)
连接法兰: GB/T 9113, JB/T 79, HG/T 20592, ASME B16.5
阀门材料: WCB, CF8, CF3, CF8M, CF3M, 310S, 特种钢
密封形式: 软、硬密封
配套附件: 安装法兰

NOMINAL PRESSURE 1.0~4.0MPa, 150Lb~300Lb
NOMINAL DIAMETER DN15~500mm, NPS 1/2"~20"
APPLICABLE TEMPERATURE -29~425°C
(The detailed temperature range depends on the medium properties)
CONNECTION FLANGE GB/T 9113, JB/T 79, HG/T 20592, ASME B16.5
VALVE MATERIALS WCB, CF8, CF3, CF8M, CF3M, 310S, Special steel
SEAL TYPE Soft and hard seals
ACCESSORIES Flange



QV940F/H/Y 电动法兰V形球阀
Electric flanged V-shaped ball valve

公称压力: 1.0~4.0MPa, 150Lb~300Lb
公称口径: DN15~500mm, NPS 1/2"~20"
适用温度: -29~425°C(具体温度范围视介质性质而定)
连接法兰: GB/T 9113, JB/T 79, HG/T 20592, ASME B16.5
阀门材料: WCB, CF8, CF3, CF8M, CF3M, 310S, 特种钢
密封形式: 软、硬密封
配套附件: 安装法兰

NOMINAL PRESSURE 1.0~4.0MPa, 150Lb~300Lb
NOMINAL DIAMETER DN15~500mm, NPS 1/2"~20"
APPLICABLE TEMPERATURE -29~425°C
(The detailed temperature range depends on the medium properties)
CONNECTION FLANGE GB/T 9113, JB/T 79, HG/T 20592, ASME B16.5
VALVE MATERIALS WCB, CF8, CF3, CF8M, CF3M, 310S, Special steel
SEAL TYPE Soft and hard seals
ACCESSORIES Flange



QV677F/H/Y 气动切断对夹V形球阀
Pneumatic cutoff wafer V-shaped ball valve

公称压力: 1.0~4.0MPa, 150Lb~300Lb
公称口径: DN15~250mm, NPS 1/2"~10"
适用温度: -29~425°C(具体温度范围视介质性质而定)
连接法兰: GB/T 9113, JB/T 79, HG/T 20592, ASME B16.5
阀门材料: WCB, CF8, CF3, CF8M, CF3M, 310S, 特种钢
密封形式: 软、硬密封
配套附件: 安装法兰

NOMINAL PRESSURE 1.0~4.0MPa, 150Lb~300Lb
NOMINAL DIAMETER DN15~250mm, NPS 1/2"~10"
APPLICABLE TEMPERATURE -29~425°C
(The detailed temperature range depends on the medium properties)
CONNECTION FLANGE GB/T 9113, JB/T 79, HG/T 20592, ASME B16.5
VALVE MATERIALS WCB, CF8, CF3, CF8M, CF3M, 310S, Special steel
SEAL TYPE Soft and hard seals
ACCESSORIES Flange



QV977F/H/Y 电动对夹V形球阀
Electric wafer V-shaped ball valve

公称压力: 1.0~4.0MPa, 150Lb~300Lb
公称口径: DN15~250mm, NPS 1/2"~10"
适用温度: -29~425°C(具体温度范围视介质性质而定)
连接法兰: GB/T 9113, JB/T 79, HG/T 20592, ASME B16.5
阀门材料: WCB, CF8, CF3, CF8M, CF3M, 310S, 特种钢
密封形式: 软、硬密封
配套附件: 安装法兰

NOMINAL PRESSURE 1.0~4.0MPa, 150Lb~300Lb
NOMINAL DIAMETER DN15~250mm, NPS 1/2"~10"
APPLICABLE TEMPERATURE -29~425°C
(The detailed temperature range depends on the medium properties)
CONNECTION FLANGE GB/T 9113, JB/T 79, HG/T 20592, ASME B16.5
VALVE MATERIALS WCB, CF8, CF3, CF8M, CF3M, 310S, Special steel
SEAL TYPE Soft and hard seals
ACCESSORIES Flange